



Gold Box & Narrow Profile

LINEAR REGULATED
AC-DC wide adjust output
(fixed & adjustable current limiting)

- Shipped Within 3 Days
- All Models U.L. Recognized
- Five Year Warranty



Don't forget these facts about Acopian....

- Fast Shipping? Acopian invented it! For over half a century, Acopian has built and shipped millions of power supplies within 3-DAYS after receipt of order. And we still do today! View our 3-DAY Shipping Promise: www.acopian.com/3dayship.html
- You ALWAYS talk to a real person when you call Acopian.
- Acopian power supplies last a *very long time!*
- You can email 3day@acopian.com anytime for 24/7 product support.
- The *Online System Builder* (www.acopian.com/SystemBuilder) is a convenient way to get your own custom power supply or power system (and most ship within 9 Days).
- You can order Acopian power supplies factory direct.
- ALL Acopian products are made in the USA.



Easton, PA & Melbourne, FL
1-800-523-9478 • www.acopian.com
Order Factory Direct
Made in USA



Gold Box & Narrow Profile WIDE ADJUST OUTPUT

LINEAR REGULATED
AC-DC
(fixed & adjustable current limiting)

- Shipped Within 3 Days
- All models U.L. Recognized
- CE (Gold Box models)
- Five Year Warranty



Narrow Profile

Gold Box

These power supplies have the broad adjustment capability required for analog instrumentation and circuitry, electronic system development, basic research, and similar applications. For applications requiring a constant current or adjustable current limiting, a power supply with a true constant-current characteristic, such as those with model numbers beginning with the letter P, should be used.

SPECIFICATIONS

Input Voltage: 105-125 VAC, 50-400 Hz, single phase.

Regulation, Ripple (in constant voltage mode):

Line Regulation: $\pm 0.005\%$ or 2 mV, whichever is greater.
Load Regulation: $\pm 0.005\%$ or 2 mV, whichever is greater.
Ripple: 0.25 mV rms.

Regulation, Ripple (in constant current mode):

Line Regulation: $\pm 0.1\%$ or 2 mA.
Load Regulation: $\pm 0.2\%$ or 5 mA.
Ripple: 0.1% rms.

Remote Voltage Sensing: Provision for sensing the output voltage across the load, to compensate voltage drops in output wiring, is a standard feature.

Remote Voltage Programming: The output voltage of all models may be controlled by means of external resistance connected in series with the -S lead.

Voltage Programming Coefficient: See table.
Calibration tolerance, $\pm 2\%$.

Current Limiting: Models with fixed current limiting have a rolloff characteristic with automatic recovery. All others have current limiting with a constant-voltage/constant-current crossover characteristic.

Polarity: Output is floating; either positive or negative terminal may be grounded or floated up to 300 volts above ground.

Temperature Coefficient (in constant voltage mode): 0.015%/°C (Typical).

Ambient Operating Temperature: -20 to +71°C.

Storage Temperature: -55 to +85°C.

Mounting: Threaded mounting holes permit mounting to a chassis, cabinet wall or bracket. To mount from the power supply side of the mounting surface or for DIN rail mounting, see accessory Mounting Kits on page H3.

OPTIONS

Remote Current Limiting Adjustment: All models having numbers beginning with the letter P have a built-in (front panel) current limit control. Provision for control of the current limit setting by adjustment of an external resistance is available as an option. To order, add the prefix letter "E" to the model number.

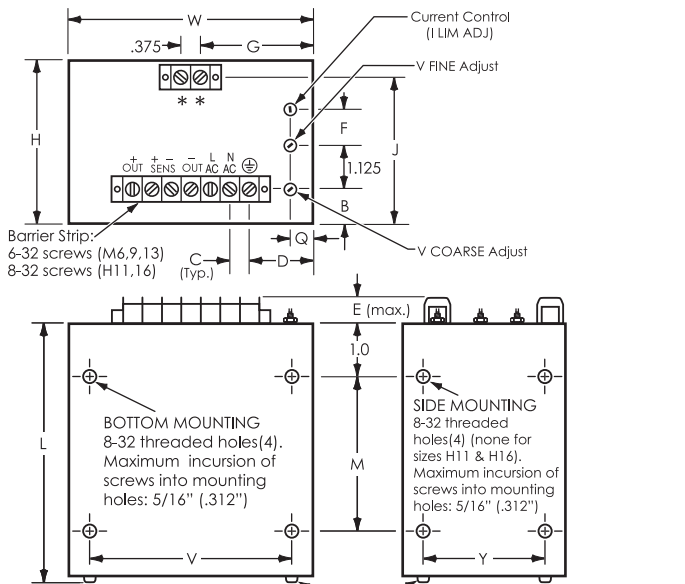
The current limit setting is inversely related to resistance. Use a 200 ohm, 1/2 W potentiometer.

Overvoltage Protection: An internally mounted overvoltage protection circuit, set approximately 20% above the maximum output voltage rating of the supply, is available on all models. To order, add prefix "V" to the model number.

Terminal Strip Cover: Clips on. To order, add suffix "M" to model number.

230 Volt Input: All models can be alternately furnished for operation on inputs of 210-250 VAC, 50-400 Hz. To order, add suffix "-230" to model number. The "-230" option requires two additional days.

Gold Box



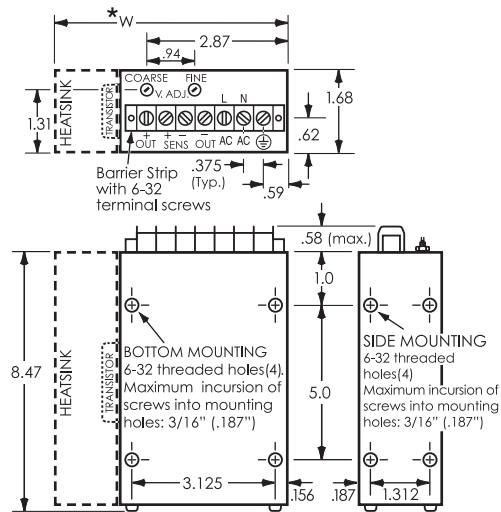
** Connections for Remote Current Control

For REAR MOUNTING, remove original screws(4) and use 8-32 Type F self-tapping screws. They should extend at least 5/16" (.312") into the power supply case.

Case Size	L	W	H	M	V	Y	E	Q	B	C	D	F	G	J	Approx. Weight
M6	6.59	5.12	3.44	4.0	4.5	3.0	.58	.5	.75	.375	1.44	.75	2.37	3.09	5 lb. 5 oz.
M9	9.25	5.12	3.44	6.0	4.5	3.0	.58	.5	.75	.375	1.44	.75	2.37	3.09	6 lb. 3 oz.
M13	13.25	5.12	3.44	10.0	4.5	3.0	.58	.5	.75	.375	1.44	.75	2.37	3.09	8 lb. 3 oz.
H11	11.25	7.37	5.12	8.0	6.75	4.56	.78	1.12	1.25	.562	2.25	1.12	3.75	4.72	12 lb. 14 oz.
H16	16.00	7.37	5.12	11.0	6.75	4.56	.78	1.12	1.25	.562	2.25	1.12	3.75	4.72	17 lb. 12 oz.

All dimensions in inches.

Narrow Profile



For REAR MOUNTING, remove 6-32 screws (4). These screws may then be used for mounting, provided they extend at least 1/4" (.250) into the power supply case.

Case Size	W*	Approx. Weight
N8T	3.84	3 lb. 2 oz.
N8H	4.68	3 lb. 14 oz.

*W dimension includes TRANSISTOR on N8T case and HEATSINK on N8H case.

All dimensions in inches.

GOLD BOX MODELS

Output Voltage Range	Output Current Amps. at			Voltage Prgm. Coeff. (Ω/V)	Case Size	Voltage Programmable Fixed Current Limiting	Voltage Programmable Adjust. Current Limiting
	40°C	55°C	71°C			Model	Model
0-6	1.2	1.2	1.2	820	M6	A06MX120	P06MX120
0-6	2.0	2.0	2.0	820	M6	A06MX200	P06MX200
0-6	3.0	2.5	2.0	820	M6	A06MX300	P06MX300
0-6	5.0	4.0	3.0	820	M9	A06MX500	P06MX500
0-6	8.0	7.0	6.0	820	M13	A06MX800	P06MX800
0-6	12.0	10.0	7.0	820	H11	A06HX1200	P06HX1200
0-6	16.0	13.0	10.0	820	H16	A06HX1600	P06HX1600
0-15	1.0	1.0	1.0	330	M6	A015MX100	P015MX100
0-15	2.0	1.6	1.2	330	M6	A015MX200	P015MX200
0-15	3.0	2.4	1.8	330	M9	A015MX300	P015MX300
0-15	5.0	4.0	2.5	330	M13	A015MX500	P015MX500
0-15	8.0	6.0	4.0	330	H11	A015HX800	P015HX800
0-15	10.0	8.0	6.0	330	H16	A015HX1000	P015HX1000
0-30	.50	.50	.50	160	M6	A030MX50	P030MX50
0-30	1.0	1.0	1.0	160	M6	A030MX100	P030MX100
0-30	1.6	1.4	1.2	160	M9	A030MX160	P030MX160
0-30	2.5	2.0	1.5	160	M13	A030MX250	P030MX250
0-30	4.0	3.0	2.0	160	H11	A030HX400	P030HX400
0-30	5.0	4.0	3.0	160	H16	A030HX500	P030HX500
0-50	.35	.34	.33	1000	M6	A050MX35	P050MX35
0-50	.60	.50	.40	1000	M6	A050MX60	P050MX60
0-50	.85	.75	.65	1000	M9	A050MX85	P050MX85
0-50	1.2	.96	.72	1000	M13	A050MX120	P050MX120
0-50	2.4	1.9	1.4	1000	H11	A050HX240	P050HX240
0-50	3.0	2.4	1.8	1000	H16	A050HX300	P050HX300
0-100	.10	.09	.08	500	M6	A0100MX10	P0100MX10
0-100	.25	.20	.15	500	M6	A0100MX25	P0100MX25
0-100	.45	.36	.27	500	M9	A0100MX45	P0100MX45
0-100	.60	.48	.36	500	M13	A0100MX60	P0100MX60
0-100	1.2	.96	.72	500	H11	A0100HX120	P0100HX120
0-100	1.5	1.2	.90	500	H16	A0100HX150	P0100HX150

NARROW PROFILE MODELS (for limited space applications)

Output Voltage Range	Output Current Amps. (to +71°C)	Voltage Prgm. Coeff. (Ω/V)	Case Size	Model
0-7	1.0	700	N8T	A07XN100*
0-7	2.1	700	N8H	A07NX210*
0-18	.400	270	N8T	A018XN40*
0-18	1.0	270	N8H	A018NX100*
0-32	.250	150	N8T	A032XN25*
0-32	.600	150	N8H	A032NX60*
0-60	.125	820	N8T	A060NX12*
0-60	.250	820	N8H	A060NX25*
0-150	.050	330	N8T	A0150NX05*
0-150	.100	330	N8H	A0150NX10*

* UL478 certified only. Not CE certified.

WALL MOUNTING KITS

These kits provide a way of mounting power supplies on a wall or panel when the other side of the mounting surface is inaccessible. Each kit consists of four aluminum brackets and four machine screws for fastening them to the power supply, effectively adding mounting flanges to the power supply.

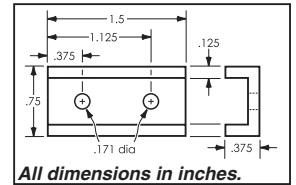
For 'Gold Box' and (modular) 'High Voltage' power supplies:

GB8 Mounting Kit (#8-32 mounting holes)

Can be used on these case sizes:

CM6, CM9, CM13, CH11, CH16, DG5, DG6, DG9, G3, G5, G5D, G6, G9, G13, GT5, GT6, GT9, GT13, H8, H11, H16, HD345, HD355, HA349, HA359, HT11, HT16, LM6A*, LM8A*, LM10A*, M6, M9, M13, RM6, RW6 TG5, TG6, TG9, TG13, TH11, WG7, WM6, WM9, Y3, Y5, Y6, YH11, YA

*For rear mounting brackets horizontally on **LM cases only**, use GBR Mounting Kit



For 'Narrow Profile' power supplies:

NP6 Mounting Kit (#6-32 mounting holes)

Can be used on these case sizes:

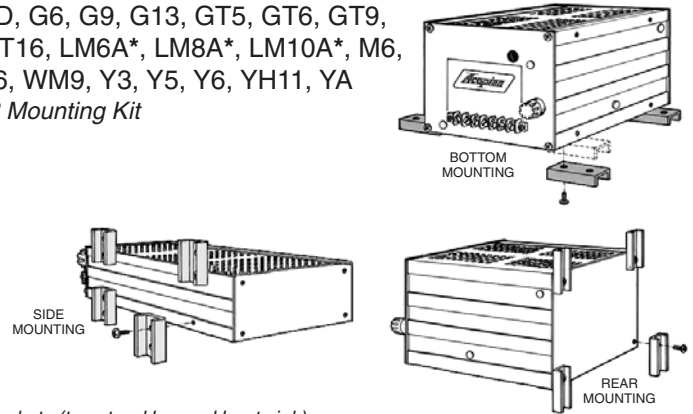
AMC, CN8T, DN6B, DN6A, DN8A, DN8, F6T, F8T, N8T, WL7, WL9, WN6A, WN6B, WN8, WN8A, WN8B, TN6T

NP6L Mounting Kit (#6-32 mounting holes)

Can be used on these case sizes:

CN8H, N8H, TN8H

Model NP6L consists of two brackets 1.5" long as shown above, and two 2.5" long brackets (to extend beyond heat sink).



DIN RAIL MOUNTING KITS

CH35DIN Mounting Kit (Horizontal mounting)

Can be used on these case sizes: RM6, RW6

GH35DIN Mounting Kit (Horizontal mounting)

Can be used on these case sizes:

CM6	DG5	G3	GT5	M6	TG5	Y3
CM9	DG6	G5	GT6	M9	TG6	Y5
CM13	DG9	G5D	GT9	M13	TG9	Y6
		G6	GT13		TG13	
		G9				
		G13				

GR35DIN Mounting Kit (Rear mounting)

Can be used on these case sizes:

CM6	DG5	G3	GT5	HD345	M6	RM6	TG5	Y3
CM9	DG6	G5	GT6	HD355	M9	RW6	TG6	Y5
	DG9	G5D	GT9				TG9	Y6
		G6						
		G9						

(GR35DIN can be used, but is not recommended on case sizes: G13, GT13, M13, TG13)

LR35DIN Mounting Kit (Rear mounting)

LV35DIN Mounting Kit (Vertical mounting)

LH35DIN Mounting Kit (Horizontal mounting)

Can be used on these case sizes: LM6A, LM8A, LM10A

NPH35DIN Mounting Kit (Horizontal mounting)

Can be used on these case sizes:

CN8H	DN6A	F6T	N8H	TN6T	WN6A
CN8T	DN6B	F8T	N8T	TN8H	WN6B
	DN8				WN8
	DN8A				WN8A
					WN8B

NPR35DIN Mounting Kit (Rear mounting)

Can be used on these case sizes:

CN8H	F6T	N8H	TN6T
CN8T	F8T	N8T	TN8H

NPV35DIN Mounting Kit (Vertical mounting)

Can be used on these case sizes:

CN8H	DN6A	F6T	N8H	TN6T	WN6A
CN8T	DN6B	F8T	N8T	TN8H	WN6B
	DN8				WN8
	DN8A				WN8A
					WN8B

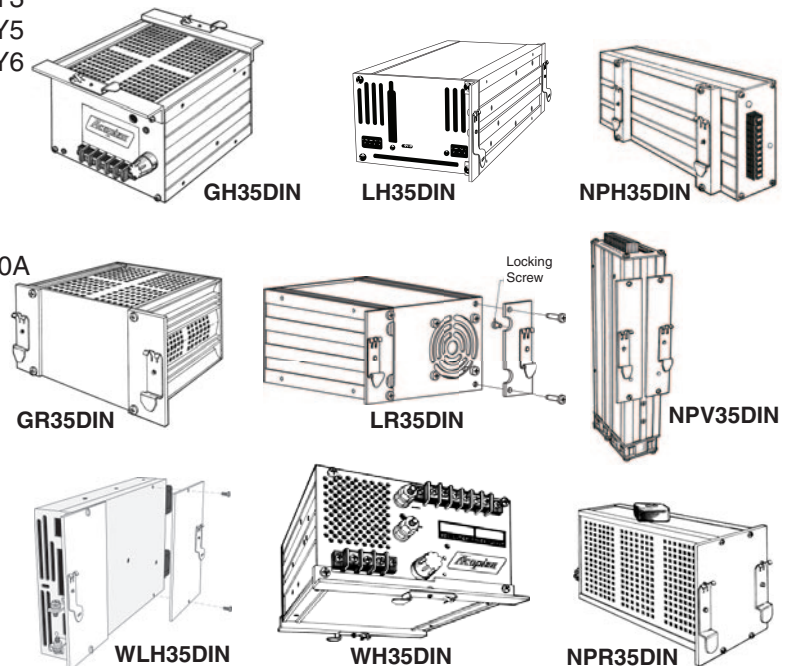
WH35DIN Mounting Kit (Horizontal mounting)

Can be used on these case sizes: WM6, WM9

WL35DIN Mounting Kit (Vertical mounting)

WLV35DIN Mounting Kit (Horizontal mounting)

Can be used on these case sizes: WL7, WL9



ACOPIAN SELLS FACTORY DIRECT WORLDWIDE: We do not use representatives or distributors. Contact Acopian for technical information or a quote.

WARRANTY: Acopian power supplies are warranted to be free from defects in material and workmanship for a period of five years (encapsulated devices, for one year) from date of original shipment. Acopian's obligation under this warranty is limited to repairing any power supply returned to the factory Service Department in Easton, PA or Melbourne, FL, and replacing any defective parts. Mini Encapsulated power supplies are not repairable. Authorization must be obtained from Acopian before a power supply may be returned for repair. Units must be well packed when shipping to Acopian; the repair of any damage incurred during shipment will be charged. Transportation charges are to be paid by the purchaser. A reinspection and handling charge will be applied to returned units found to have no defects. If a failure has been caused by misuse, operation in excess of specifications, or modification by the customer, repairs will be billed at cost; in such cases, a cost estimate will be submitted before work is started.

Acopian reserves the right to make changes or improvements in its products without incurring any obligation to install the same on products previously manufactured.

This warranty is in lieu of all other warranties, obligations, and liabilities, expressed or implied, and is the purchaser's exclusive remedy. Acopian makes no warranty, either express or implied, of merchantability, fitness for a particular purpose or otherwise. In no event shall Acopian be liable whether in contract, tort, or negligence, for special, indirect, incidental or consequential damages of any kind, including loss of business or profits, or any other losses incurred by the purchaser or any third party, the Customer's remedies being limited, at Acopian's option, to replacement, repair or credit at the price on the date of claim.

The validity, performance and construction of all terms and conditions and any sale made by Acopian shall be determined by the law of Pennsylvania, without regard to its conflict of law principles, and all parties to the transaction expressly consent to the jurisdiction of such courts and consent to the venue of the Court of Common Pleas for Northampton County, Pennsylvania.

PRICES: The prices shown are F.O.B. our factory; Easton, PA or Melbourne, FL. ('EXW Factory' if outside the 50 United States.) All prices and specifications are subject to change without notice.

TERMS: Net 30 days, subject to credit approval. Visa, MasterCard and American Express also accepted.

SHIPPING: Location permitting, small shipments are made by United Parcel Service, FedEx, DHL (international orders) or by Parcel Post; larger shipments, by insured motor freight collect. Shipments can be made by air upon request. Risk of loss shall be F.O.B. Our Factory, even in cases where freight may be prepaid or allowed to destination by Acopian. If equipment is received in damaged condition, it is the customer's responsibility to contact the carrier and file a claim for damages.

TIME FOR DELIVERY: The time for delivery quoted by Acopian is the time required to ship from our plants. We will not be liable for delays in delivery caused by any reason beyond our control, including but not limited to acts of God, casualty, civil disturbance, labor disputes, transportation or supply difficulties, or any interruption of our facilities, and the quoted time for delivery shall be extended during the continuance of such conditions and for a reasonable time thereafter. In no event will Acopian be liable for any premium transportation, procurement, or similar costs incurred by the Customer as a result of conditions beyond Acopian's control resulting in Acopian's inability to deliver product in accordance with customer's requested delivery schedules.

QUANTITY DISCOUNTS: Discounts are available to quantity buyers and are dependent upon the order quantity and the manufacturing scheduling anticipated by the order, and apply only to the quantity and delivery ordered. Partial shipments are considered as separate orders for discounting purposes.

EXPORT ORDERS: A minimum export documentation charge of \$60.00 applies. (A minimum charge of \$25.00 applies on orders to certain U.S. territories requiring customs forms.)

MOISTURE/FUNGUS PROOFING: Power supplies can be furnished with a moisture and fungus resistant varnish applied to interior surfaces. To order, add the suffix letter F to the model number. This option requires two additional days and is not available on High Voltage, Mini Encapsulated, Rack Mounting, and Gold Box Switching models.

TAGGING: Add \$10.00 to price.

TEST DATA: Cost, \$35.00 or 2% of order, whichever is greater.

SPECIAL MODELS/MODIFICATIONS: Cataloged models can be altered at the factory to meet special requirements. Contact the Applications Engineering Department to discuss your needs.

PARTS: The designs used in Acopian power supplies utilize standard components to the greatest practical extent. When replacements are required, the types originally used, or their equivalents, can usually be obtained most quickly from a local electronic components distributor.

Special components, such as transformers, are stocked at the factory warehouses. Contact the Applications Engineering Department for information on the parts required, referencing the model number of the power supply, the circuit designation of the component, and a description.

PURCHASE ORDER ACCEPTANCE: Orders are accepted subject to Acopian's Terms and Conditions. Any Terms and Conditions of any Purchaser's order, agreement, or understanding which are in addition to or inconsistent with Acopian's shall not be binding upon Acopian unless made in writing and accepted over the signature of an authorized officer of Acopian. Orders shall not be considered accepted until entered into production at our plant. Acopian reserves the right to refuse any order. All typographical and clerical errors are subject to correction by Acopian.

RETURNED GOODS: Acopian products are built on a per-order basis, and ordinarily no credit can be extended for their return. No goods will be accepted for return unless authorized in writing by Acopian.

CHANGES: The customer may, by a written notice, request changes within the general scope of the order, in the drawings, designs or specifications; method of shipment; and place of delivery. If any such change causes an increase or decrease in the cost, or the time required for the processing of any part of the order, an equitable adjustment shall be made in the price or delivery schedule, or both, and the order shall be modified in writing accordingly.

CANCELLATION: Suspension or cancellation of orders may be made only upon our written approval and on terms that will indemnify us against all loss.

OVERTIME: It is anticipated that any order will be processed during regular working hours on regular working days. If for any reason the Purchaser requests Acopian to process the order, or any portion of it, outside of such regular working hours, any overtime or other additional expense occasioned thereby shall be billed to and paid by the Purchaser as an extra cost. Acopian reserves the right to decline to process the order outside regular working hours.

CUSTOMER DELAY OF WORK: If the performance of all or any part of the work is delayed or interrupted by Customer's failure to act within the time specified (or within a reasonable time if no time is specified) and such act is not expressed or implied by the order, an adjustment shall be made in the cost of performance of the order caused by such delay or interruption and the order modified in writing accordingly. Adjustment will also be made in the delivery or performance dates and any other contractual provisions affected by such delay or interruption.

GOVERNMENT SPECIFICATIONS: Pricing is based upon industrial-grade construction, marking, packing, and packaging. Exception is taken to any MIL specifications, and to any requirements for the use of special forms, documentation other than quoted, and Government Source Inspection. Acopian must decline to quote on any other basis.

APPLICATIONS ASSISTANCE: *Questions regarding the specifications, features, and use of any Acopian product should be directed to the Applications Engineering Department. A staff of power supply specialists will be pleased to assist you.*

ACOPIAN IS AN ISO 9001 CERTIFIED COMPANY